

Mounting: pendant
Environment: indoor
Typical use: residential, hotels, restaurants, common areas, large spaces, meeting rooms, museums, offices, schools, shops

OPTIC

Lighting effects: down diffused with E2 opal
Light output: down diffused 4'675lm
CCT: 3'000K (2'700K on request)
Light source: led SMD C.R.I.>90
Nominal lifetime: 50'000h L80B20 (Ta 25°C)

ELECTRICAL DATA

Wattage: down 75W
Voltage: 220VAC
Power supply: (on/off) included inside the ceiling rose

WEIGHT & DIMENSIONS

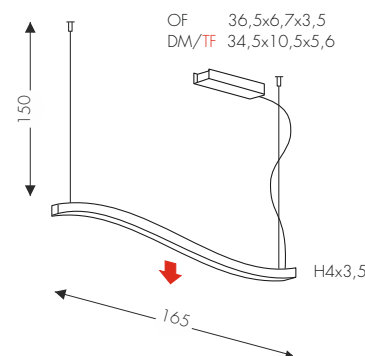
Dimensions: Length 165cm Section H.4x3,5cm
Ambient temperature range: -10 / +35°C
Materials: body: extruded aluminum
 cover: pmma OPAL
Weight: 2,5 kg



Curve suspension
 designed by TI Lighting LAB

Suspension lamp in painted extruded aluminum in, length 165cm, with curved shape.
 DOWN light emission.

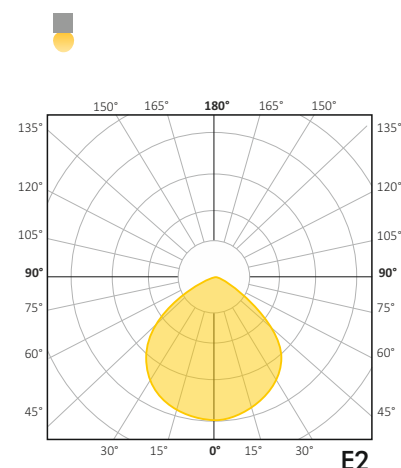
■ NE Black



CERTIFICATIONS



LIGHT EMISSION



1022MOF

OPTIONS

DIMMABLE DALI (Push)

Code:  1022MDM

PHASE CUT

Code: 1022MTF

STRUCTURE FINISHES

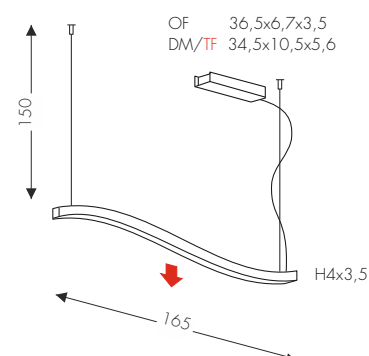
- on request:
- BV white
 - TO dove grey
 - RU rust
 - GV grey
 - SO brushed aluminum



Curve suspension
designed by TI Lighting LAB

Suspension lamp in painted extruded aluminum in, length 165cm, with curved shape.
DOWN light emission.

 **NE** Black



CERTIFICATIONS



LIGHT EMISSION

